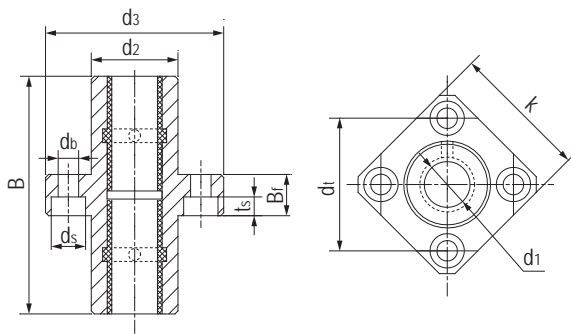


### LIN-12RTM 加长型方圆法兰塑料直线轴承 Angular flange linear bearings(long design)



- 封闭式、中间方法兰加长设计
- 装配2个LIN-12滑动膜
- 阳极氧化铝合金适配器
- 螺栓固定
- 免维护、低噪音
- 适用于污垢或灰尘环境
- 使用温度-50℃/+90℃
- Closed design with square flange in the middle
- Assembled 2pcs liners LIN-12
- Anodized aluminum adapter
- Secured by bolts
- Maintenance-free and low noise
- Resistance to dirt and dust
- Operation temperature -50℃/+90℃

### 标准规格 Standard specifications



产品编码 Part No.:

LIN-12RTM-10

轴承内径 Inner Diameter

中方法兰加长型保持器

Middle angular flange aluminum adapter (long design)

LIN-12标准滑动膜

Standard liners LIN-12

座孔 Housing: H7 轴 Shaft: h6-h9

| 产品编码<br>Part No. | d <sub>1</sub><br>[mm] | 公差 Tolerance<br>[mm] | d <sub>2</sub><br>h7 [mm] | d <sub>3</sub><br>[mm] | d <sub>1</sub><br>[mm] | k<br>[mm] | B<br>[mm] | B <sub>t</sub><br>[mm] | t <sub>s</sub><br>[mm] | d <sub>b</sub><br>[mm] | d <sub>s</sub><br>[mm] |
|------------------|------------------------|----------------------|---------------------------|------------------------|------------------------|-----------|-----------|------------------------|------------------------|------------------------|------------------------|
| LIN-12RTM-10     | 10                     | +0.030/+0.088        | 19                        | 39                     | 29                     | 30        | 52        | 9                      | 4.1                    | 4.5                    | 7.5                    |
| LIN-12RTM-12     | 12                     | +0.030/+0.088        | 22                        | 42                     | 32                     | 32        | 57        | 9                      | 4.1                    | 4.5                    | 7.5                    |
| LIN-12RTM-16     | 16                     | +0.030/+0.088        | 26                        | 46                     | 36                     | 35        | 70        | 9                      | 4.1                    | 4.5                    | 7.5                    |
| LIN-12RTM-20     | 20                     | +0.030/+0.091        | 32                        | 54                     | 43                     | 42        | 80        | 11                     | 5.1                    | 5.5                    | 9                      |
| LIN-12RTM-25     | 25                     | +0.030/+0.091        | 40                        | 62                     | 51                     | 50        | 112       | 11                     | 5.1                    | 5.5                    | 9                      |
| LIN-12RTM-30     | 30                     | +0.030/+0.110        | 47                        | 76                     | 62                     | 60        | 123       | 14                     | 6.1                    | 6.6                    | 11                     |
| LIN-12RTM-40     | 40                     | +0.030/+0.115        | 62                        | 98                     | 80                     | 75        | 151       | 18                     | 8.1                    | 9                      | 14                     |
| LIN-12RTM-50     | 50                     | +0.030/+0.130        | 75                        | 112                    | 94                     | 88        | 192       | 18                     | 8.1                    | 9                      | 14                     |

| 产品编码<br>Part No. | 轴径 Shaft<br>[mm] | 座孔 Housing<br>H7 [mm] | 公差 Tolerance<br>[mm] | F max. [N]<br>最大动载荷 Dynamic Load<br>P=5MPa | F max. [N]<br>最大静载荷 Static Load<br>P=35MPa | 重量 Weight<br>[g] |
|------------------|------------------|-----------------------|----------------------|--|--|------------------|
| LIN-12RTM-10     | 10               | 19                    | 0/+0.021             | 1300                                       | 9100                                       | 44               |
| LIN-12RTM-12     | 12               | 22                    | 0/+0.021             | 1680                                       | 11760                                      | 57               |
| LIN-12RTM-16     | 16               | 26                    | 0/+0.021             | 2400                                       | 16800                                      | 79               |
| LIN-12RTM-20     | 20               | 32                    | 0/+0.025             | 3000                                       | 21000                                      | 126              |
| LIN-12RTM-25     | 25               | 40                    | 0/+0.025             | 5000                                       | 35000                                      | 249              |
| LIN-12RTM-30     | 30               | 47                    | 0/+0.025             | 7500                                       | 52500                                      | 388              |
| LIN-12RTM-40     | 40               | 62                    | 0/+0.030             | 12000                                      | 84000                                      | 835              |
| LIN-12RTM-50     | 50               | 75                    | 0/+0.030             | 17500                                      | 122500                                     | 1352             |